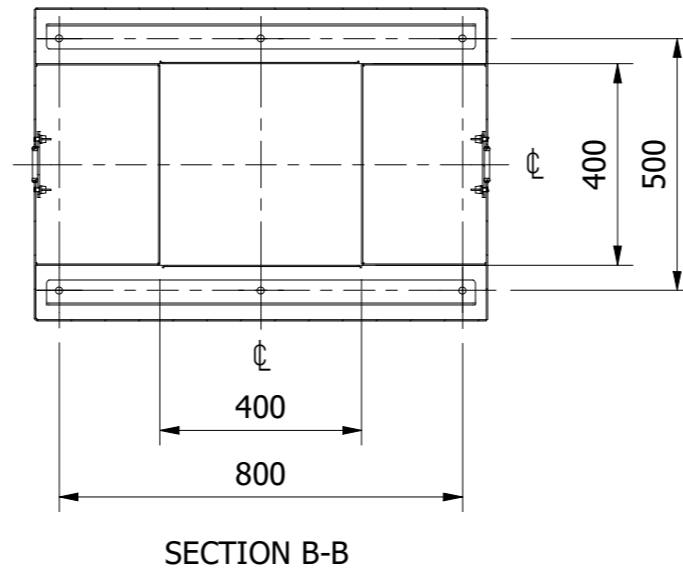
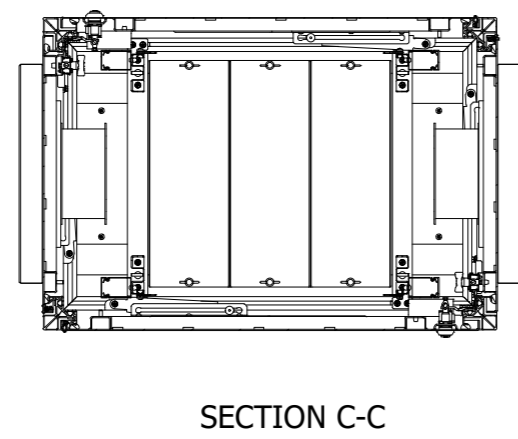
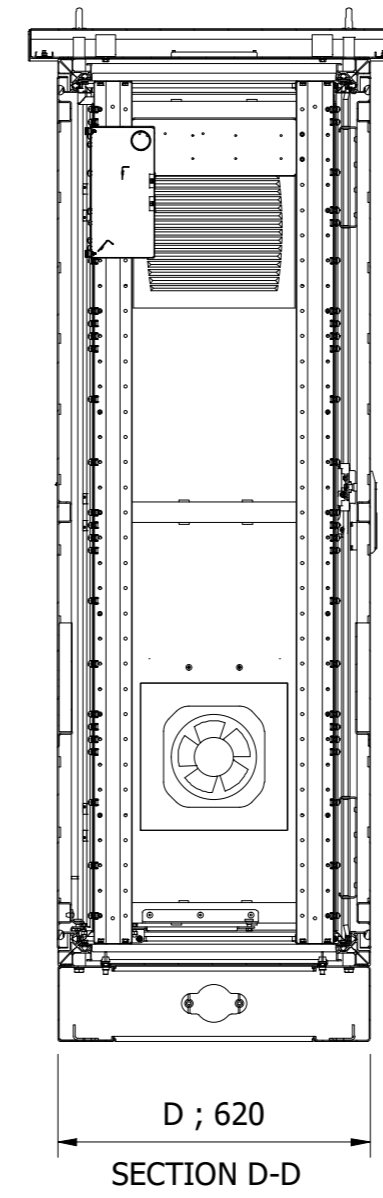
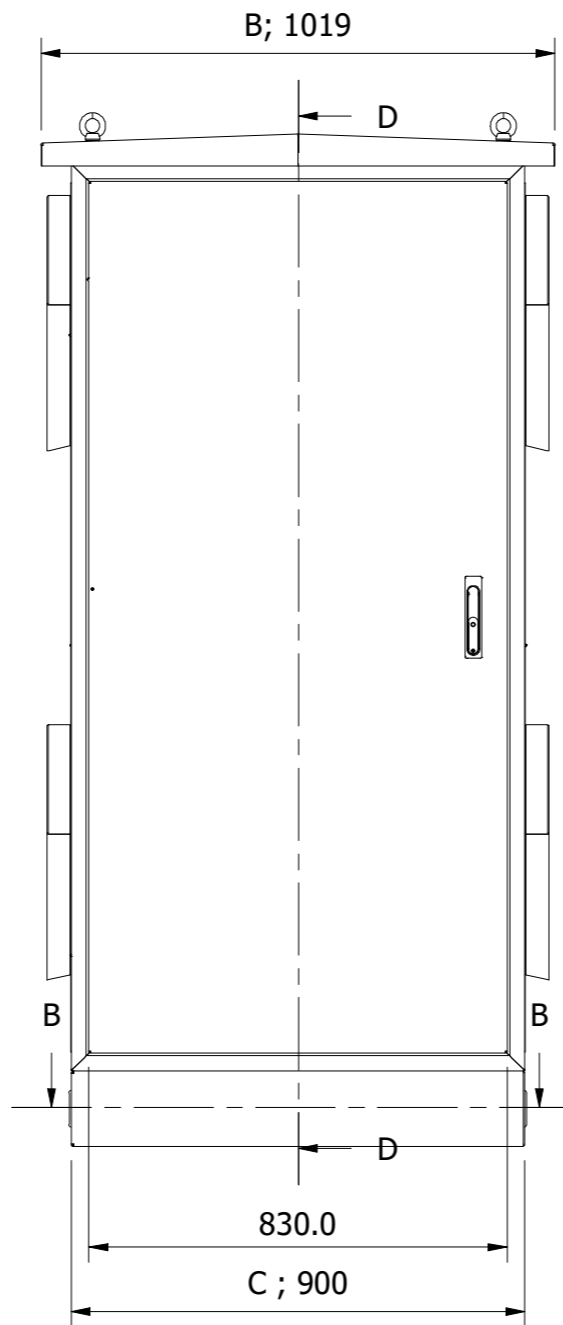
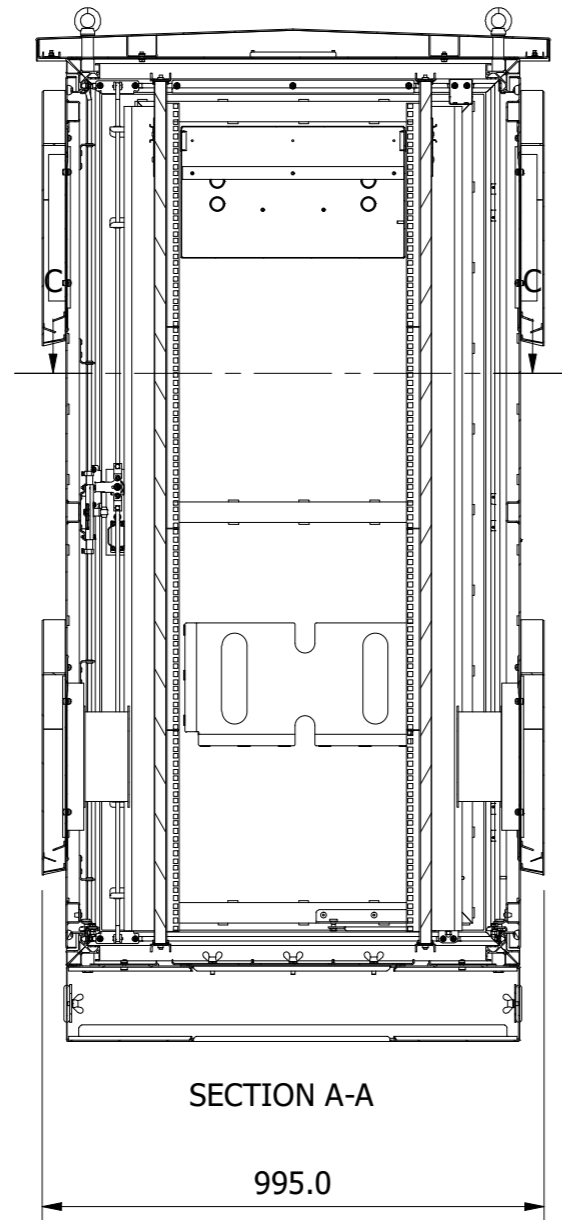
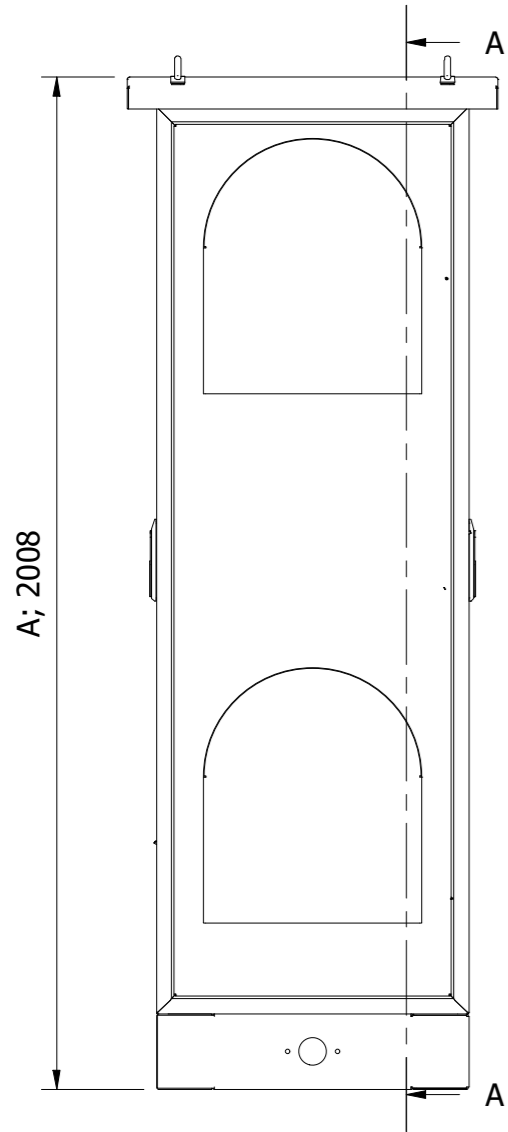
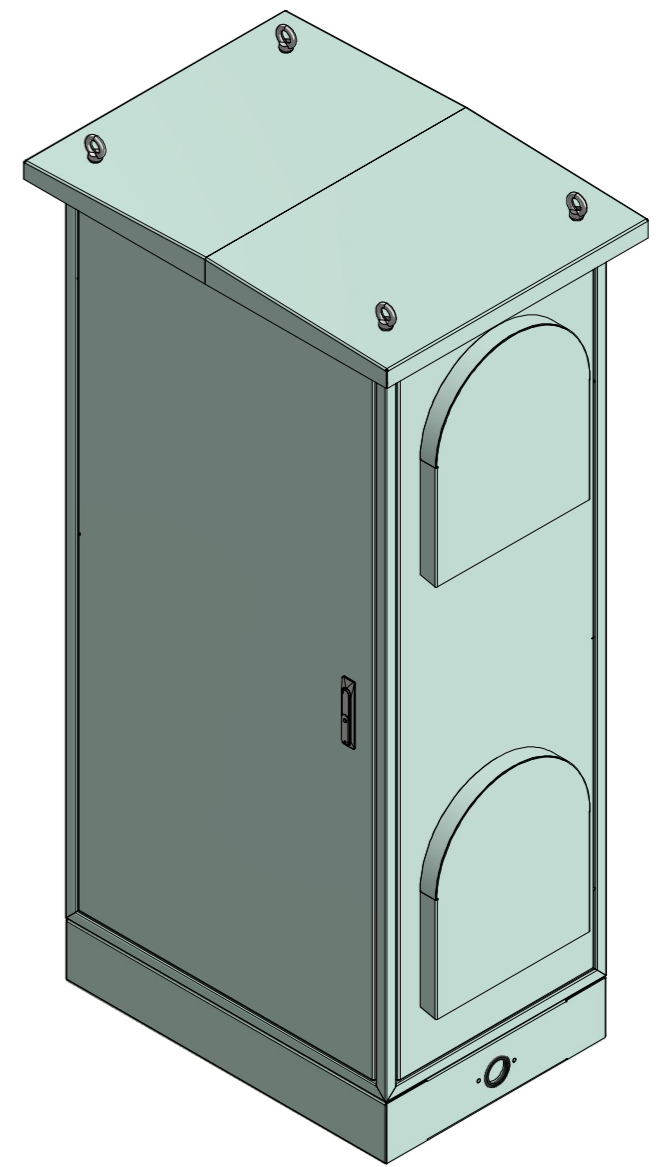
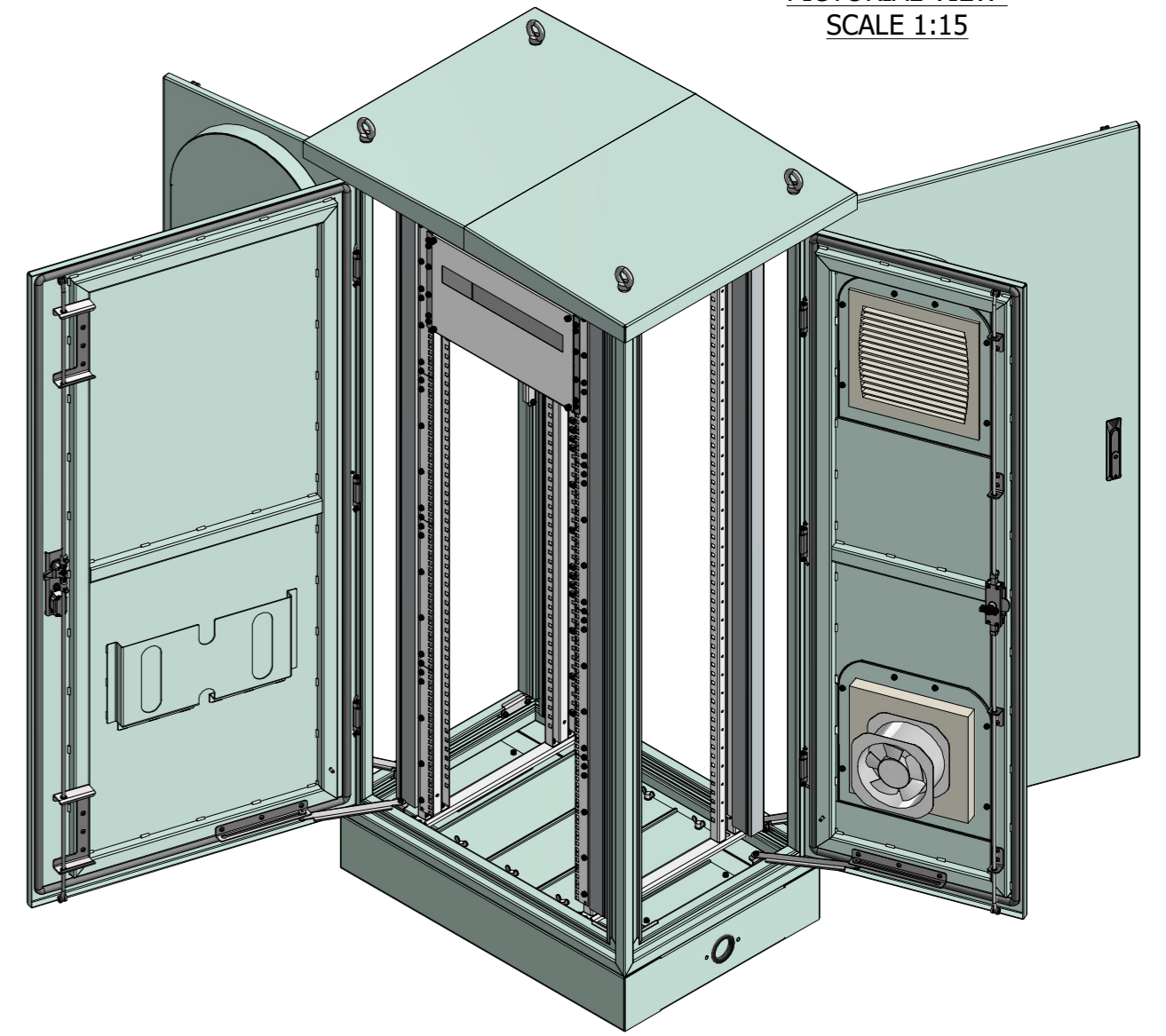


PICTORIAL VIEW
SCALE 1:15



NOTES:

1. DIMENSIONS A, B, C & D ARE INDICATIVE. THESE DIMENSIONS ARE SUBJECT TO CHANGE DEPENDING ON THE REQUIREMENTS FOR THE SPECIFIED PROJECT.

ZONE	REV	DESCRIPTION	AUTHOR	DATE	APPROVED
	B	UPDATED TO SUIT NEW DIMENSIONS	ZB	21/03/2024	AJB
	A	ORIGINAL	ZB	30/10/2023	AJB

REVISION HISTORY					
Description	Drawn By	Checked By	Eng. Appd.	Issue No.	Sheet No.
PF1600 HC ITS FIELD CABINET GME 37RU	ZB	TJ		FC0900	1/1

ALL DIMENSIONS IN MILLIMETERS	Scale: 1 : 15	Mass: 149.77 kg	TOLERANCE NOT SHOWN		
Material: 2MM 5052 H32 ALUMINIUM	Finish: T33 SMOKE BLUE		0.00 = ± 0.1	0.0 = ± 0.25	0 = ± 0.5
			Hole = +0.1 / -0.0	Angular = ± 0'30"	

 BRAUMS Smarter Safer Greener Living www.braums.com.au
