

Braums ITS Field Cabinet

Braums Pty Ltd ITS Field Cabinets are designed to Transport Department specifications:

- TfNSW: TSI-SP-012
- TMR: MRTS226
- DTP: TCS 061 – 2019
- DIT: DTEI Part 265
- MRWA



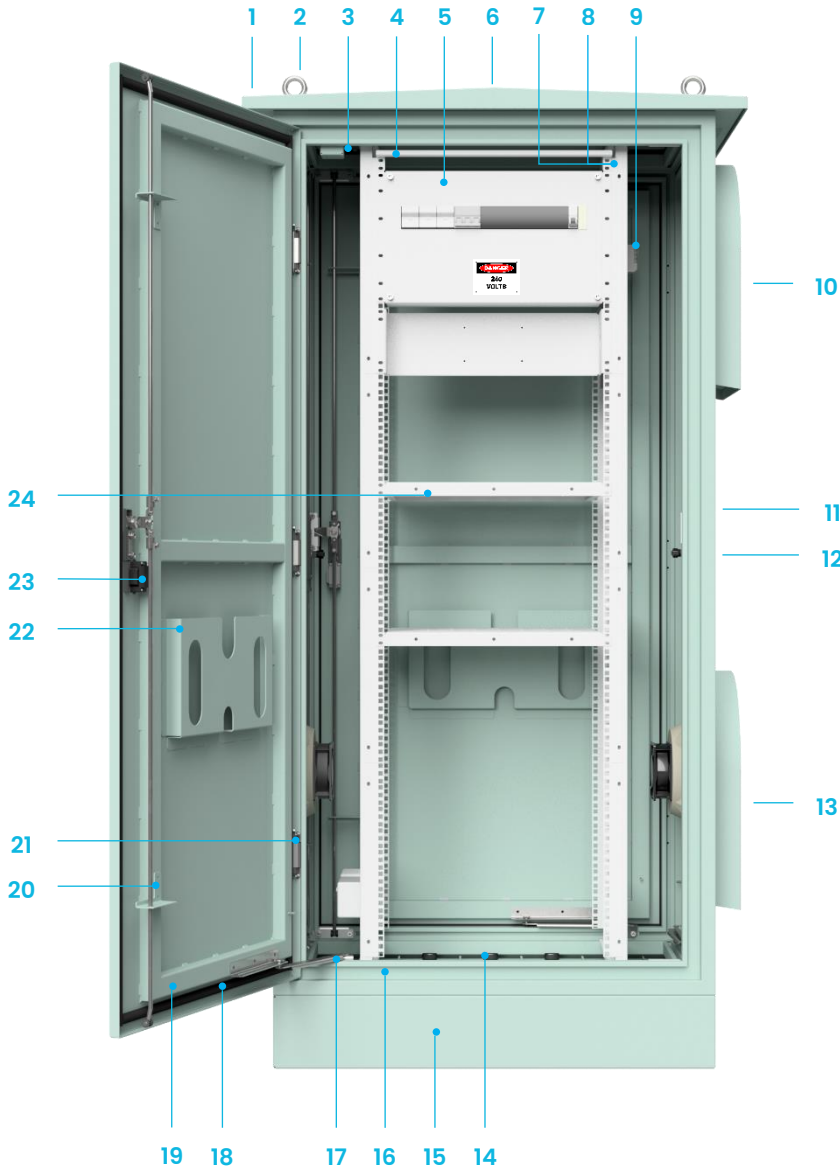
Mechanical Features:

- Manufactured from 2mm Aluminium Grade 5052 H32
- Aluminium frame 6063 T5 Extrusion
- AS2700 T33 Smoke Blue Anti-Graffiti coating
- IP55 rated to AS60529–2004 by VIPAC
- AS/NZS 3000 suitability no. CS11044N
- 37RU 19" rack
- 65SU ETSI Rack
- Sloped roof for water run-off
- Forced Ventilation
- 4 door access
- Rack mounted switch board

Standard Load Centre:

1. Fault Current Limiter – 32A Fuse
2. Main Switch – 32A 10kA
3. SPD Switch – 32A 10kA
4. Surge Diverter
5. AUX – 10A 10kA
6. Fans – 4A 10kA
7. Lighting – 4A 10kA
8. Lighting – 12V 10W
9. RCD GPO's
10. EMI Mains Filter





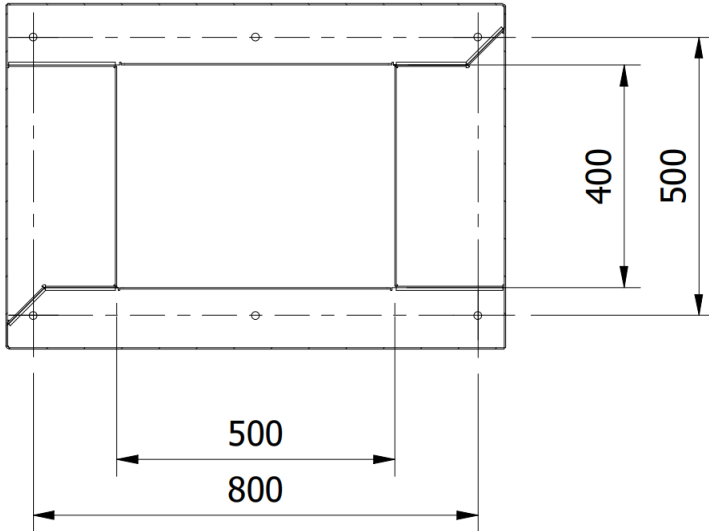
Specifications:

1. Weatherproof IP55 Cabinet
2. M12 lifting eye
3. Door switch
4. Cabinet lighting
5. 6RU Load centre
6. Slanted roof
7. 37 RU 19" Adaptor Rack
8. 65 SU ETSI Rack
9. Thermostat
10. Ventilation outlet
11. Side doors
12. Side door 3-point internal lock
13. Ventilation inlet fans
14. Gland Plates
15. Mounting Base 150mm
16. Aluminium frame extrusion
17. Stainless Steel door retainer
18. Foam in place gasket
19. Door Stiffener
20. 3-point lock rod control
21. Stainless steel hinges
22. Document pocket
23. 3-point lock swing handle
24. Sliding laptop shelf

Other models available

Cabinet		Height (mm)	Width (mm)	Depth (mm)	RU / SU	Weight (kg)
FC0900	Door	1730	830	550	37 / 65	150
	Total	2000	1020	735		
FC0700	Door	1730	685	550	37 / 65	125
	Total	2000	875	735		
FC1800	Door	1730	830	550	2x 37 / 65	250
	Total	2000	2000	735		

Cabinet Footing



Standard Wiring Schematic

